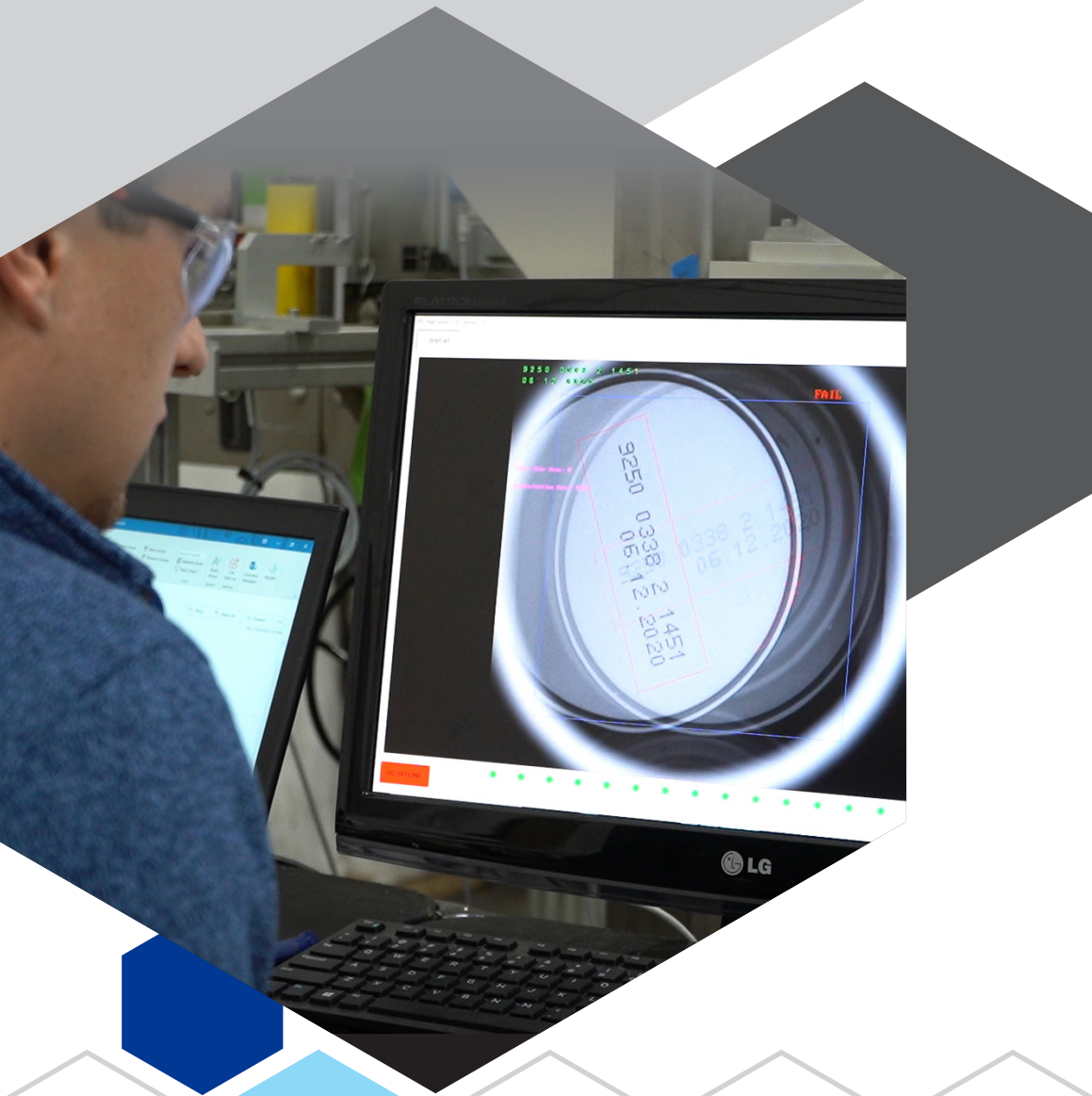


AUTOMATED LOT & DATE CODE INSPECTION SYSTEMS



Ensure Date-Codes, Best-By & Expiration Dates
are Present & Correct on Products & Cases



PACKAGE LOT & DATE CODE VERIFICATION SYSTEM (OCR)

Eliminate Date-Coding Mistakes on Cylinders, Cans, Boxes, Labels

WE INSPECT:

- Cans
- Tubs
- Tubes
- Boxes
- Pouches
- Bottles
- Labels
- Lids

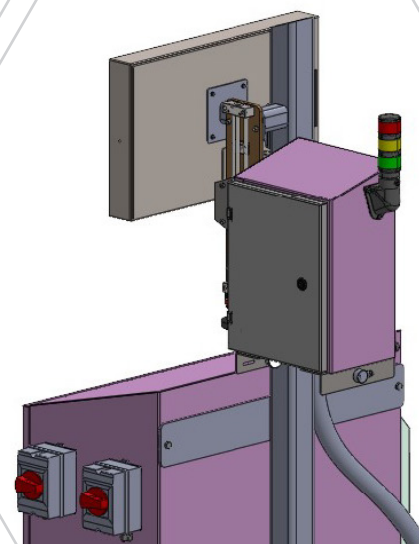
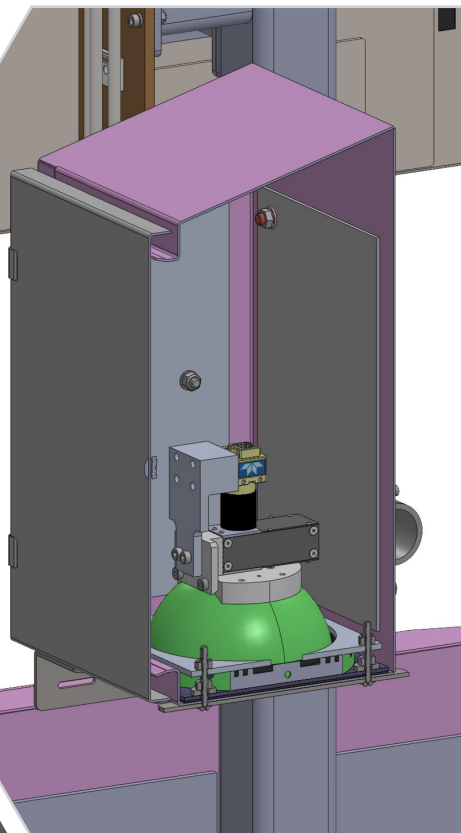
WE LOOK FOR:

- Date codes
- Best-buy dates
- Expiration dates
- Lot codes
- Bar codes
- Other critical codes

MAINTAIN REGULATORY COMPLIANCE

IMPROVE PRODUCT TRACEABILITY & RETAILER ACCEPTANCE

IMPROVE LOGISTICS MANAGEMENT





Guarantee readability on product package codes & improve retail acceptance



System Features

SUITABLE FOR	Up to a 3.5" diameter print area on the side or flat end of a product for vertical orientation
LINE SPEEDS	Appropriate for line speeds up to 1,200 ppm or more*
SYSTEM HIGHLIGHTS	<ul style="list-style-type: none">▪ Read and verify dot matrix printed alpha numeric characters▪ Suitable for applications with two lines of text, 15 characters each▪ Read characters regardless of orientation up to 360 degrees▪ Up to 99.97% accuracy (maximum of 3 false fails/false pass in 10,000 products)*▪ Designed for standard conveyor heights approximately 40"▪ Height adjustable for multiple sized containers
OPTIONAL UPGRADES	<ul style="list-style-type: none">▪ Air conditioner▪ Software upgrades for non dot print▪ Can be reconfigured for horizontal view orientation▪ Can customize for larger print area▪ Washdown rated components▪ Configurations for higher or lower part rate and line speeds▪ HAZOP classification for aerosols▪ Additional side cameras, bar-code, or other verifications available▪ Can be customized to add other defect inspections

Technical Specifications

CAMERA	Dalsa
SOFTWARE	Matrox
MOUNTING METHOD	Stainless steel stand suitable for food manufacturing
PHYSICAL HARDWARE	<ul style="list-style-type: none">▪ Control Panel with PLC and IPC▪ Touch HMI▪ Electronic rejector is included

*Maximum speeds and inspection accuracy may vary per specific application

CASE DATE-CODE VERIFICATION SYSTEM

Verify Ink-Jet Printed Lot, Date, & Bar Codes are Correct on Corrugated Boxes, Trays & Cases

WE INSPECT:

- Cases
- Corrugated boxes
- Corrugated trays

WE LOOK FOR:

- Lot codes
- Date codes
- Bar codes

IMPROVES CHANGEOVER

GUARANTEE CASE TRACEABILITY AND RETAILER ACCEPTANCE





**PROUDLY ASSEMBLED IN THE USA
BY EPIC'S SKILLED CRAFTSMEN
USING HIGH QUALITY COMPONENTS.**



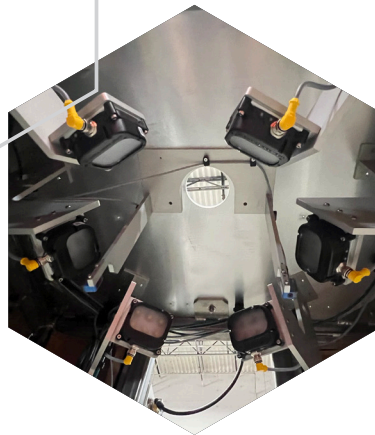
GET EPIC RESULTS

Supporting Lean Production Lines with Improved Results



Automated Ingredient Verification Prevents Mislabeling, Packaging & Product Waste

An automated ingredient verification system designed by EPIC reads the text on labels and containers as they pass by at high speeds and alerts line operators if allergen information is missing, cut-off, or unreadable. This system catches mislabeling within 10 products, significantly reducing packaging and labeling waste and protecting both the brand and customers by ensuring all products are correctly labeled before leaving the facility.



The EPIC Advantage

Fully tested before install
Electrical, mechanical, programming design
Integrated HMI/UI displays
Seamlessly integrated controls
Actionable data insights



High velocity (900+ ppm)
High accuracy (99%+)
High precision (30 microns+)
Stop defects in 10 products or less
Backed by 25 years experience

We Support the Brands You Trust & the Products You Rely On

For over 25 years EPIC has proudly partnered with leading brands to drive efficiencies, brand integrity and customer satisfaction. Here are some of the many ways we have helped our partners:

- Rapidly respond to dynamic consumer preference
- Diversify product offering and gain more market share
- Improve brand integrity and customer satisfaction
- Produce consistent, higher quality products
- Increase efficiency, improve product fulfillment, and meet sustainability goals
- Support 24/7 operations
- Reduce labor dependencies and human capital costs

Let us help you improve your operations, your brand integrity and your product quality.

TRUSTED PARTNERS



Purina Mills



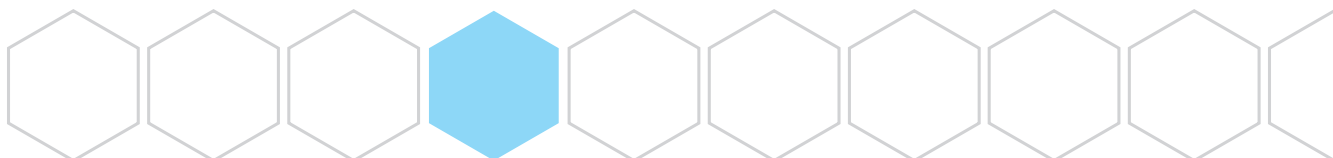
THE J.M. SMUCKER Co.

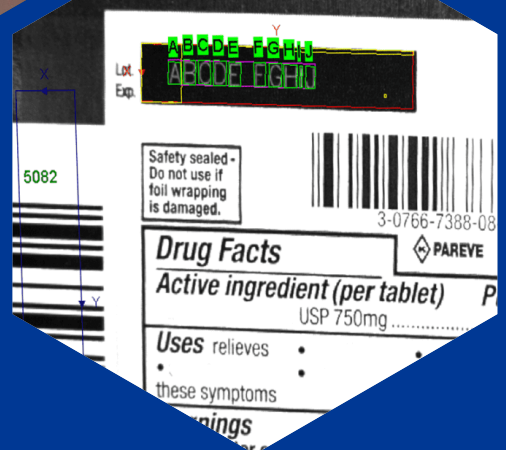


Gerber



T. Marzetti





314-501-6534

sales@epicsysinc.com

EPIC Vision Systems

4142 Meramec Bottom Road
St. Louis, MO 63129, US

VS-OCR 2nd Ed. 7/22

© 2022 EPIC Systems